



Function, flexibility and value

FLEXI Reception System



RIVIERA

flexi, for your reception solutions



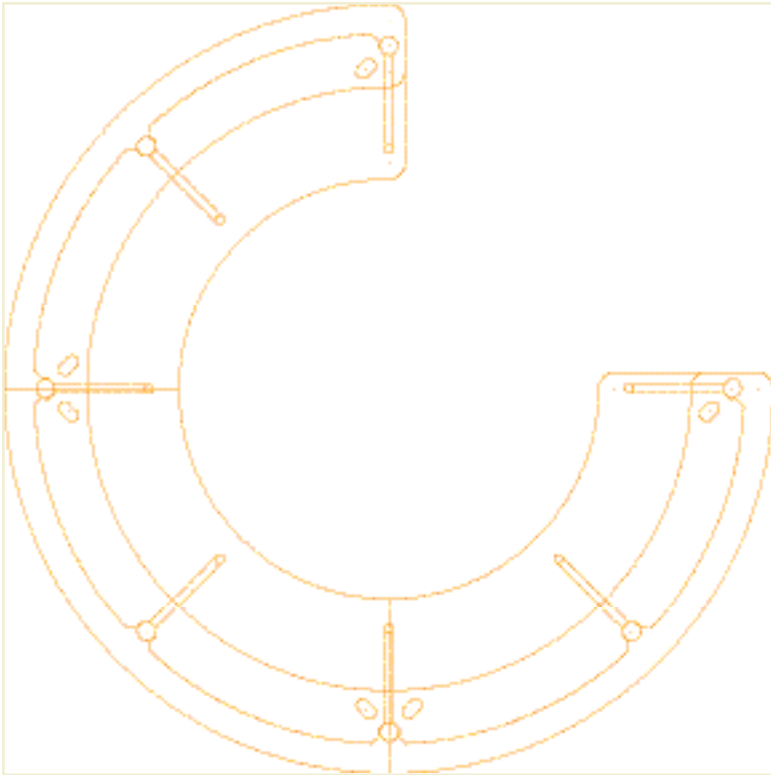
Inspired by **flexi** design and engineering, our designers have created a few modular elements intended to solve reception area challenges. Greeting visitors, promoting an upscale corporate image, as well as providing a practical administrative workspace: this is **flexi** reception.

Design and concept: Lorpen
Product development: F. Saldaña and Riviera Design Team



high-tech and æsthetics

With a **flexi** reception system you can create high-tech sculptures that blend perfectly with any decor thanks to pure design, clean lines, and basic architectural materials like wood, glass or steel.





Glass counters or all-wood tops and work surfaces, the choice is yours.

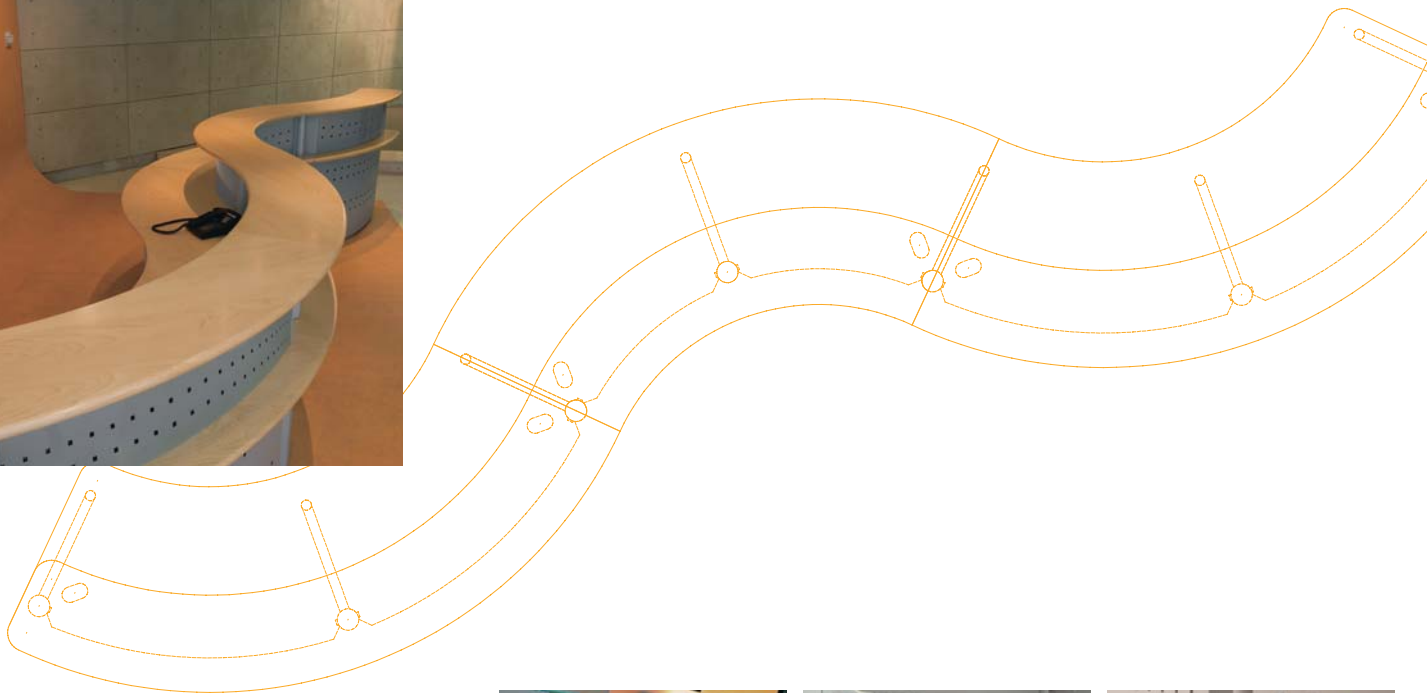
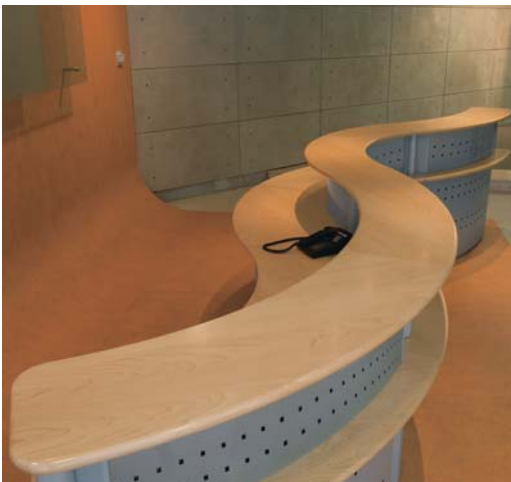
Front modesty panels are available in several perforated steel patterns.

Strong steel posts with cantilever legs and supports make a sturdy structure.

shapes with function in mind

Sinuuous lines, curves, straight counters, and a large choice of finishes and dimensions allow dozens of attractive designs to fit your needs and space.

Thanks to storage pedestals and ample wire management, **flexi** is also very functional.



Superb design details and superior craftsmanship put the flexi reception system in a class by itself.



Power and communication wires travel up and down, from one side to another, hidden in large gutters.



A practical mini-shelf or a structural belt... in all cases, a beautiful detail.

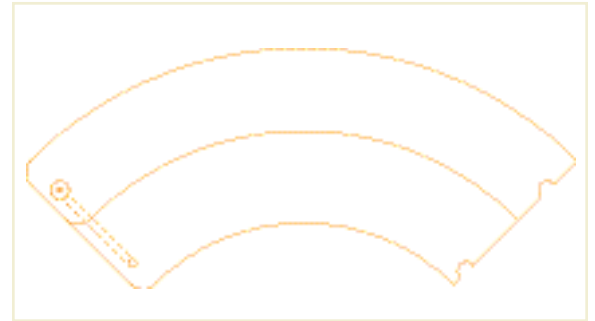


easy choices, easily specified



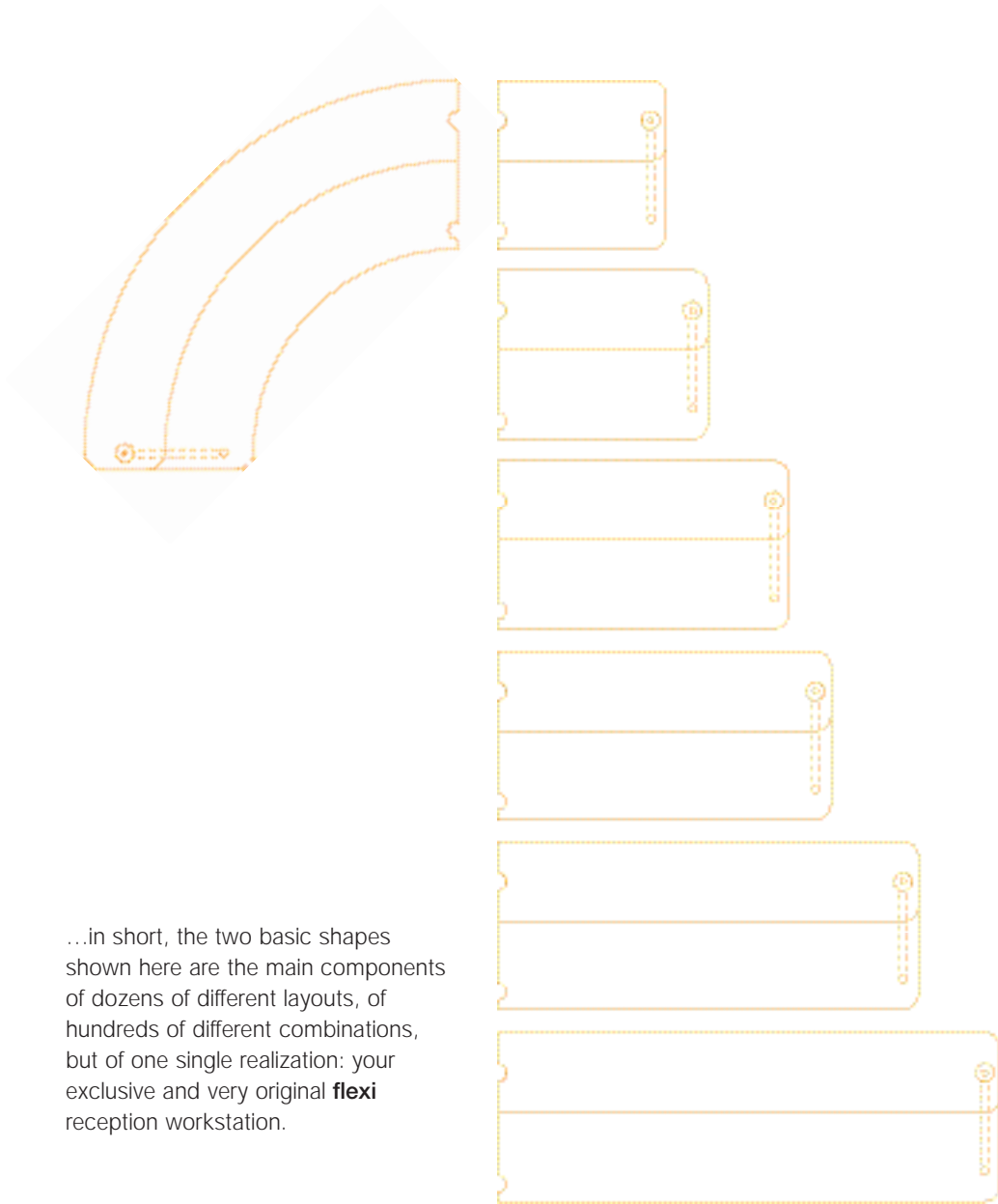
flexi reception is an example of intelligent design, perfectly fulfilling its mission.

You might choose **flexi** reception for several good reasons but two of them are the renowned quality of craftsmanship and product excellence you find only at Riviera.



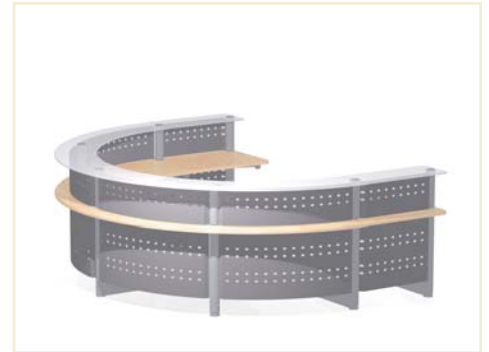
Contrary to common belief, a system does not have to be complicated. It needn't contain hundreds of parts nor be a puzzling installation task.

One 90° element,
one straight return,
and you're done.



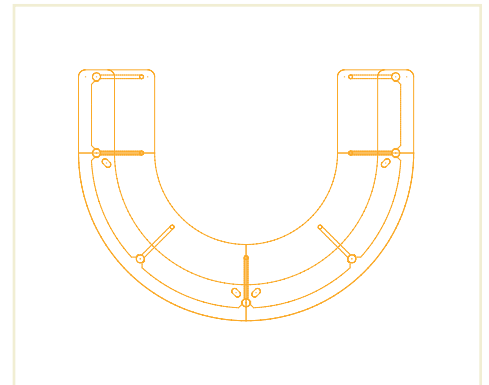
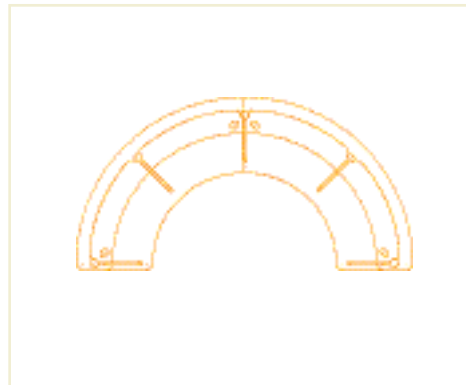
...in short, the two basic shapes shown here are the main components of dozens of different layouts, of hundreds of different combinations, but of one single realization: your exclusive and very original **flexi** reception workstation.

a **flexi** reception system for every application



Consider that a quarter round module, whether concave or convex, is a complete unit, including your choice of countertop, work surface, front modesty design, steel color, wood finish...

Add another quarter round module, and a straight one. Put it on the left, or on the right. Decide on a length anywhere between 24" to 72".

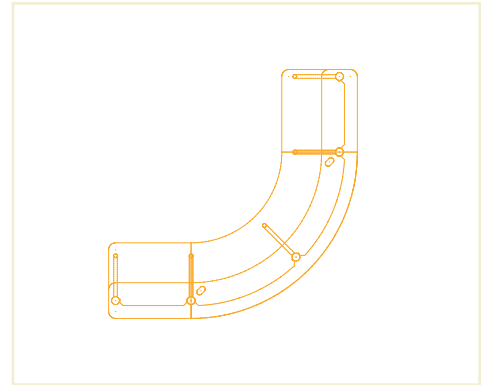
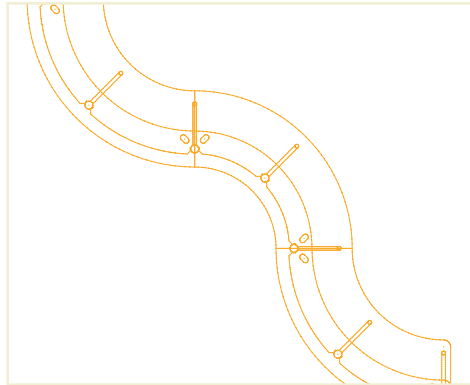
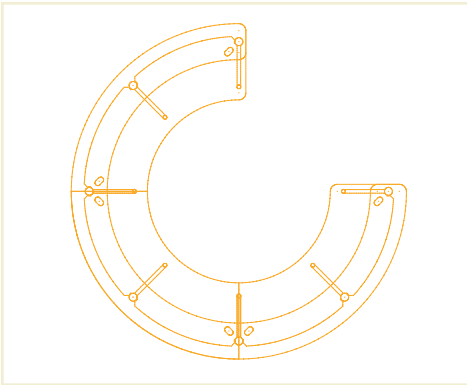




Of course you may also need another left, a right, or a center element. You might ask for a few different lengths to solve specific problems.

And finally you get to choose between glass or wood tops, between various steel finishes, between small round perforations or squares, etc. The choice is yours.

But all these choices do not make **flexi** a complicated system, nor will simplicity take away from unique design.





FLEXI RECEPTION

CORPORATE OFFICES & SHOWROOMS

NEW YORK
 641 Lexington Avenue
 22nd floor
 New York, NY 10022
 Phone: 212 832 4260
 Fax: 212 832 4274

CHICAGO
 Merchandise Mart,
 Suite 341,
 Chicago, Illinois 60654
 Phone: 312 329 0582
 Fax: 312 329 0622

MEXICO D.F.
 Paseo de las Palmas, 800
 Mexico City 11000
 Mexico
 Phone: 525 5 11 00 2200
 Fax: 525 5 52 02 6288

DALLAS
 3500 Oak Lawn,
 Suite 100,
 Dallas, Texas 75219
 Phone: 214 521 6568
 Fax: 214 521 0214

WASHINGTON
 Bank of America Building
 (lower level)
 2530 Riva Rd.,
 Annapolis, MD 21401
 Phone: 410 745 0466
 Fax: 410 745 0465

